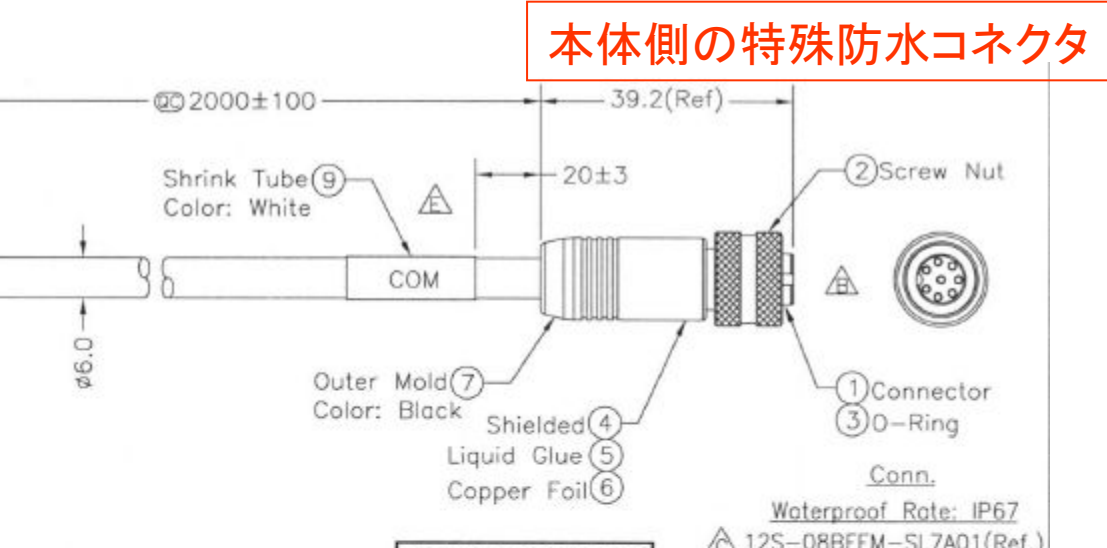
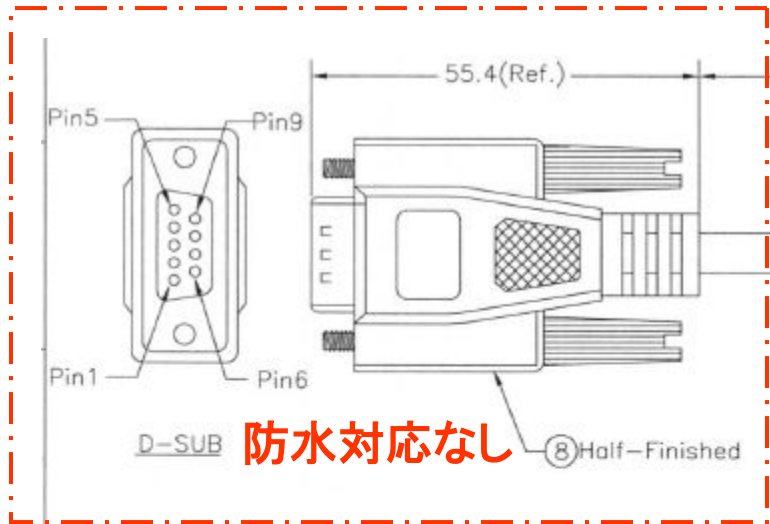


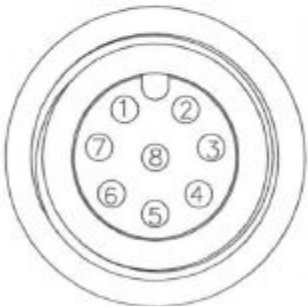
WTP-8B66/9A66用・防水シリアルケーブル

本体側の特殊防水コネクタ



通常PCと同等のシリアルD-sub 9ピンコネクタ

APPROVED
SIGNATURE Ivan
DATE 103.12.03



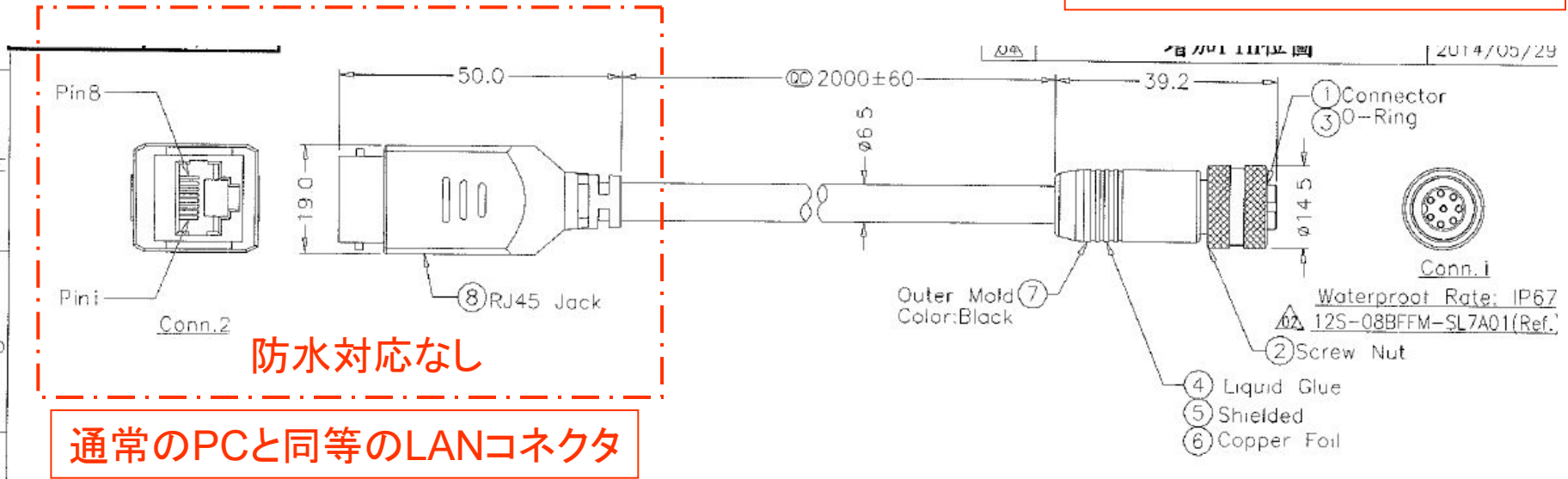
Shield	Drain Wire	地線	Shield
8	Black	黒	8
7	Red	紅	7
6	Orange	橙	6
5	Gray	灰	5
4	Green	緑	4
3	Violet	紫色	3
2	Blue	藍	2
1	Brown	棕	1
D-SUB	Wire Color		Conn.

- Note:
- * Ⓞ Important Dimensions To Check.
 - * Housing: Nylon+GF, Black
 - * Female Pin: Copper Alloy, Gold Plated.
 - * Screw Nut: Zinc Alloy, Nickel Plated.
 - * O-Ring: Green, Viton.
 - * D-SUB: 9 PIN Male, Black Insulator, Gold Plated Solder Type
 - * Cable: UL2464 26AWG*9C+Drain+Brain+Al/My PVC Jacket UV Resistant, OD=6.0, Black,

UNIT:mm	TITLE	CIRCULAR,MIDDLE,CABLE 12S-08BFFM+D-SUB	PANTRON 磐周精化股份有限公司	ITEM NO	DRAWN BY	DATE
TOLERANCE	SCALE			D62-MDX-FF08S2M-M	James	2014/12/01
±0.5 mm	Free	SHEET 1 OF 1		D62-MDX-FF08S2M-M	CHECKED BY	DATE
	REV. E	SIZE A4			James	2014/12/01
				CUSTOMER	APPROVED BY	DATE

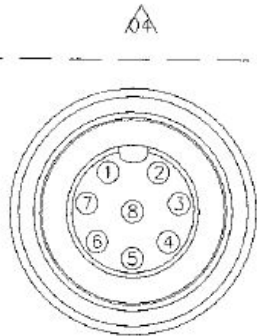
WTP-8B66/9A66用・防水LANケーブル

本体側の特殊防水コネクタ



防水対応なし

通常PCと同等のLANコネクタ



Pin Assignments Front View

Shield	Drain	地線	Shield
8	Brown	棕	8
7	White/Brown	白/棕	7
6	Green	緑	6
5	White/Blue	白/藍	5
4	Blue	藍	4
3	White/Green	白/緑	3
2	Orange	橘	2
1	White/Orange	白/橘	1
Conn.2	Wire Color		Conn.1

Twist 對線
Twist 對線
Twist 對線

Note:
 * Ⓞ Important Dimension To Check.
 * Connector: Nylon+GF, Black
 * Screw Nut ZINC
 * Female Pin: Copper Alloy, Gold Plated.
 * Conn.2: RJ45 Jack, Gold Plated, Black
 * Cable: CAT5E FTP 24#*4P+My+D+Al/My, PVC Jacket(UV Resistant), OD=6.5mm, Black

UNIT:mm
 TOLERANCE
 ±0.5 mm

FILE
 SENSOR, M12, CABLE
 12S-08BFFM+RJ JACK
 SCALE Free SHEET 1 OF 1
 REV. 04 SIZE A4 Ⓞ Inspection Item

PANTRON
 磐周精化股份有限公司

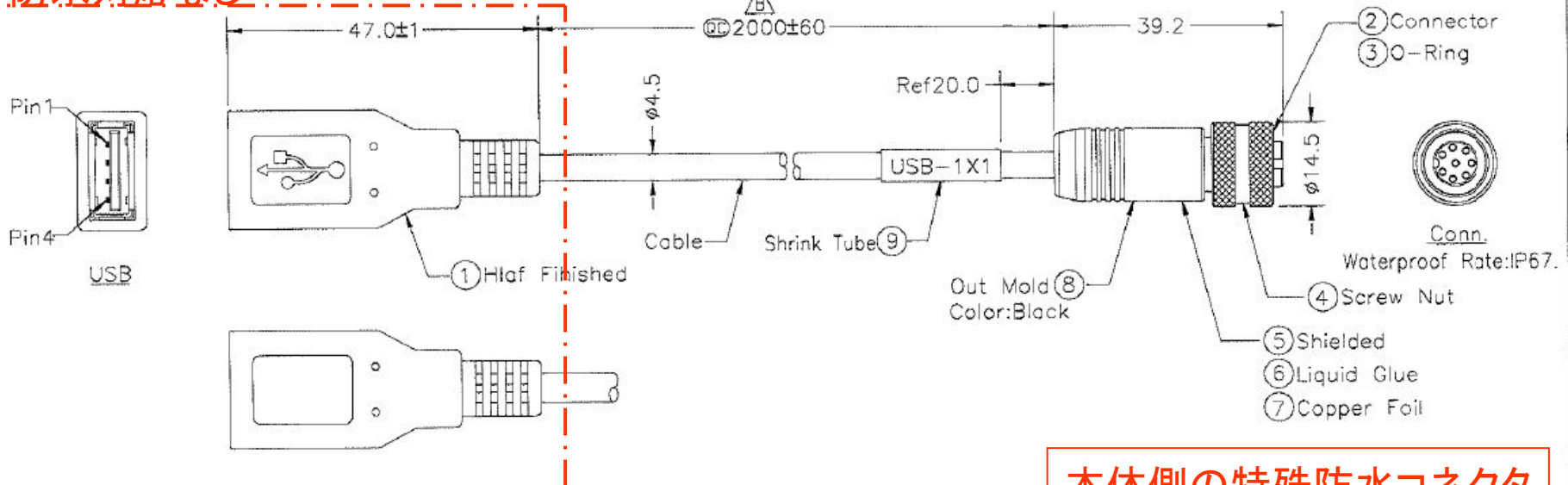
ITEM NO
 D62-MRX-FF08S2M
 DWG NO
 D62-MRX-FF08S2M
 CUSTOMER
 D62

DRAWN BY
 Vicki
 CHECKED BY
 Vicki
 APPROVED BY

DATE
 2014/05/29
 DATE
 2014/05/29
 DATE

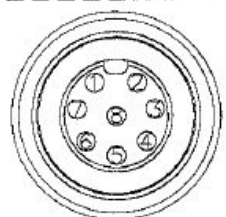
WTP-8B66/9A66用・防水USBケーブル(1本タイプ)

防水対応なし



本体側の特殊防水コネクタ

通常のPCと同等のUSBコネクタ



Conn. Pin Assignments Front View

Shield	Braid	編織	Shield
4	Black	黒	4
3	Green	緑	3
2	White	白	2
1	Red	紅	1
USB	Wire Color	Conn.	

Pin Out

- Notes:
- * Ⓒ Important Dimension.
 - * USB A: Female Solder Type, Gold Plated
 - * Connector: Nylon+GF, Black.
 - * Female Pin: Copper Alloy, Gold Plated.
 - * Cable: USB2.0 1P*28#+2C*24#+Al/My+D-B PVC Jacket, UV Resistant, OD=4.5mm, Black

UNIT:mm	TITLE	SENSOR,M12 12S-08BFFM+USB	ITEM NO	D62-MUX-FF08S2M	DRAWN BY	James	DATE	2016/01/20
TOLERANCE	SCALE	Free	DWG NO	D62-MUX-FF08S2M	CHECKED BY	Jeon	DATE	2016/01/20
±0.5 mm	REV.	SIZE Δ4	CUSTOMER		APPROVED BY		DATE	

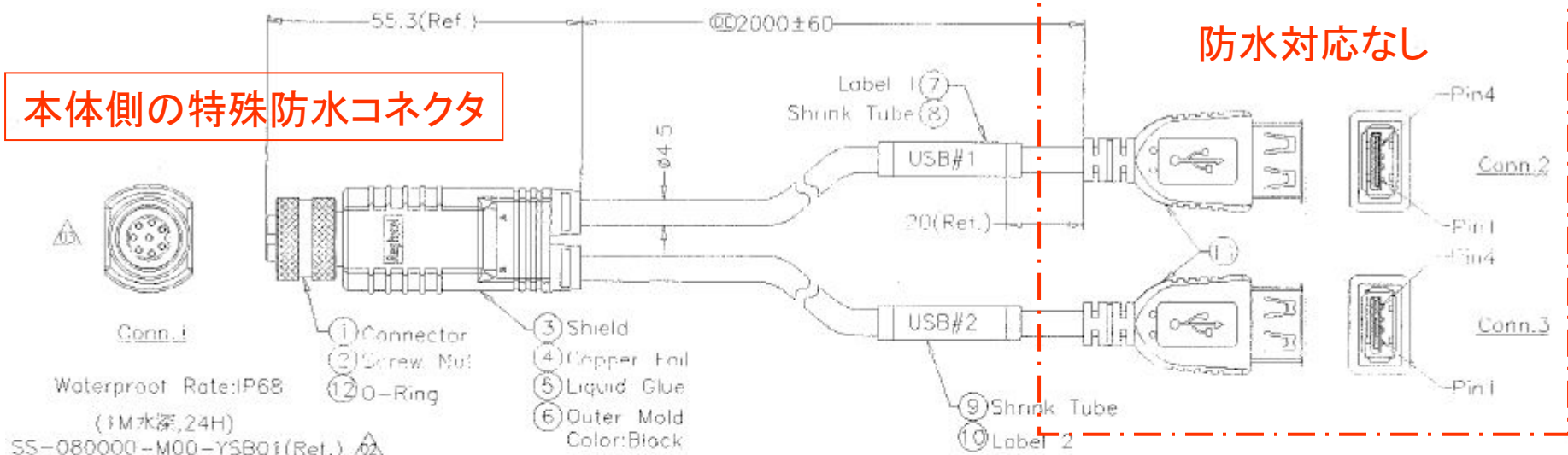
PANTRON
磐周精化股份有限公司

WTP-8B66/9A66用・防水USBケーブル(Y-分岐2本タイプ)

本体側の特殊防水コネクタ

防水対応なし

通常のPCと同等のUSBコネクタ



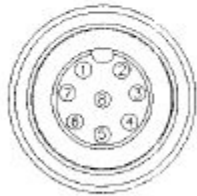
Conn. 1

Waterproof Rate: IP68

(1M水深, 24H)

SS-080000-M00-YSB01(Ref.)

- ① Connector
- ② Screw Nut
- ③ Shield
- ④ Copper Foil
- ⑤ Liquid Glue
- ⑥ Outer Mold Color: Black
- ⑦ Label 1
- ⑧ Shrink Tube
- ⑨ Shrink Tube
- ⑩ Label 2



Conn. 1
Pin Assignments
Front View

Shield	Braid	編織	Shield	
8	Black	黒	4	Twist 對線
7	Green	緑	3	
6	White	白	2	
5	Red	紅	1	
Shield	Braid	編織	Shield	
4	Black	黒	4	Twist 對線
3	Green	緑	3	
2	White	白	2	
1	Red	紅	1	
Conn. 1	Wire Color		Conn. 2	Conn. 3

Pin Out

Note:

- * @Important Dimension To Check.
- * Connector: Nylon+GF, Black
- * Female Pin: Copper Alloy, Gold Plated
- * Screw Nut: Brass, Nicked Plated
- * Cable: USB2.0 1P*28#+2C*24#+AI/My+D+B, Black, PVC Jacket, UV Resistant, OD=4.5mm

UNIT:mm	±0.5 mm
TOLERANCE	

TITLE M12S YCABLE WITH USB A TYPE			
SCALE	Free	SHEET	1 OF 1
REV	04	SIZE	A4
(RF) Inspection Item			

PANTRON
磐周精化股份有限公司

ITEM NO	D62-M00-FF08S2M
DWG NO	D62-M11U-FF08S2M
CUSTOMER	UCC

Drawn By	Vicki	DATE	2014/05/09
ENCHED By	Vicki	DATE	2014/05/09
APPROVED By		DATE	