



Features

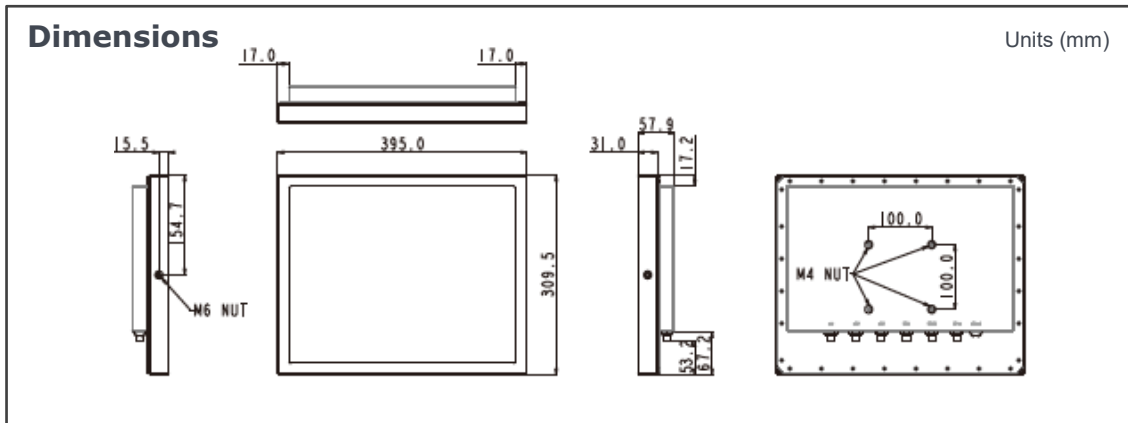
- 15" Intel® 6th/7th Generation Fanless Stainless Panel PC
- IP66/69K Full Sealed with Anti-Corrosion Enclosure
- Support Intel® vPro technology by CPU
- IP67 M12 Stainless/Metal Connectors
- Optional Cable Gland for External I.O.
- 100% Waterproof Guarantee
- CE, FCC, VCCI Class B Certified
- Screen Touch Lock Function

Specification

Product		WTP-9E66-15	
Main System	CPU	Intel® 6 th /7 th generation core i7/i5 processor	
	Graphic	Intel® Graphics HD	
	Memory	Two DDR4 SODIMM socket support dual Channel, up to 32GB	
	OS Support	Optional Windows 7 embedded, Windows 7 pro, Windows 8 embedded, Windows 8 industrial, Windows 10	
Display	Size	15" 4:3	
	Resolution (pixel)	1024 x 768 (XGA)	
	Number of Colors	16.7M colors (RGB 6-bit + Hi FRC)	
	View Angle (H/V)	160(H) / 160(V)	
	Brightness (nit)	350 nits	
	Contrast Ratio	800 : 1 (Typ)	
Touch Panel	Type	Full flat resistive touch panel	Projected Capacitive Touch
	Light Transmission	80 ± 5%	90±3%
	Hardness / Lifetime	4H / 35M times	7H / 100M times
Storage & Expansion	Storage	2.5" SATA HDD or SSD	
	Expansion	Mini PCIe x 1 M.2 Type E x 1	
I/O Ports	USB	1 x M12 8pin for USB 1/2, 1 x M12 8pin for USB 3/4	
	COM	1 X M12 8pin for COM 1/RS-232, 1 X M12 8pin for COM 2/RS-232/422/485	
	LAN	1 x M12 8pin for LAN x 1 (i219LM for Vpro)	
	DC in	1 x M12 5pin DC power connector, DC 9~32V	
	Control Keys	Rear bottom: Power on /off	
Power	Power adapter	AC 100 ~ 277V / 47 ~ 63 Hz / DC output 24V, 5A, 120W, IP68	
	Power consumption	53.8W	
Environmental	Temperature	Operating Temperature 0~40°C/ 0~50°C(change to SSD) Storage Temperature -20~60°C	
	Humidity	Operating & Storage: 10 ~ 90%, non-condensing	
	Water/Dust resistance	IP66 / NEMA4X / IP69K whole set	
Mechanical Characteristics	Housing	Stainless steel (SUS304), chassis type	
	Dimensions (Net: mm)	395 x 309.5 x 58	
	Weights (Net: kg))	8.4kg	
	Mounting	VESA 100*100, side mount (M6*2)	
Certification	CE/ FCC/ VCCI Class B, Canada ICES-003		

WTP-9E66-15

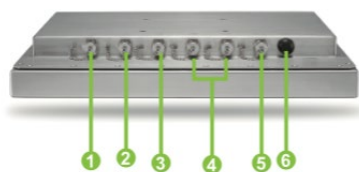
Stainless Steel Panel PC



Major Options	
Add On Parts	1. Wireless LAN or Wireless and BT kit (Easy Clean and Robust Antenna or 2 ant), 2. SSD, 3 External LAN x 2, 4. Waterproof USB 3.0, 5. Stainless M12 connector, 6. TPM2.0, 7. IP67, 8. Full Flat PCT Touch Screen IP69K, 9. SUS316 Enclosure, 10. Cable Gland for External I.O.
Power Cable	1. Waterproof M12 to 1 x COM cable, 2. Waterproof M12 to 1 x USB cable, 3. Waterproof M12 to 1 x LAN cable, 4. Maximum length is 5.2 meters by 2x2m DC cables
Optional kits	1. Wall mount/ Table mount bracket
Customized	1. Sunlight readable optical bonding, 2. 1000 nit high brightness LCD, 3. LCD Auto dimming, 4. LCD Super dimming (Low brightness), 5. 5W/2WSpeaker, 6. Second HD, 7. COM + power 5V or 12V, 8. Barcode reader

Order Information

Item	Cooling	Description
WTP-9E66-15 (i5)	Fanless	15" Core i5-6200U / DDR4 4G RAM/ 500G HDD/ full flat R-touch
WTP-9E66-15 (i5)	Fanless	15" Core i5-7200U / DDR4 4G RAM/ 128G SSD/ full flat R-touch



- 1 Giga LAN
- 2 USB 1/2
- 3 USB 3/4
- 4 COM x 2
- 5 DC-in
- 6 Power on/off

