



Features

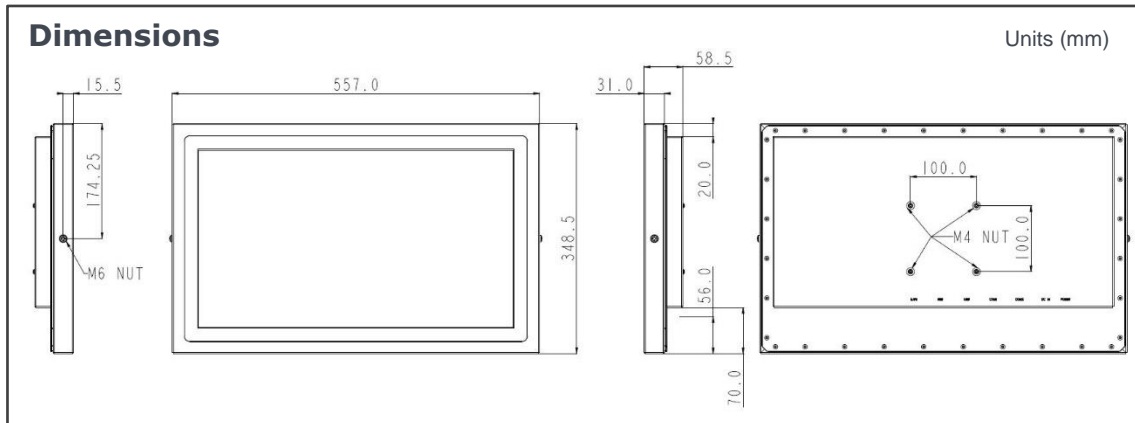
- 21.5" Intel® Celeron J1900 Fanless Stainless Panel PC
- Full Flat Resistive Touch (PCAP touch as option)
- IP66/69K Full Sealed with Anti-corrosion Enclosure
- Optional IP67 M12 Stainless Connectors
- Optional Cable Gland for External I.O.
- Screen Touch Lock Function
- CE, FCC, VCCI class B certified

Specification

Product		WTP-8B66-22
Main System	CPU	Intel® Celeron J1900 2.0 GHz quad-core processor
	Graphic	Intel® Graphics HD
	Memory	Two 1333 MHz DDR3L SODIMM socket support dual Channel, non-ECC, up to 8 GB
	OS Support	Win 7, Win 7 Pro, Win8.1, Win 10
Display	Size	21.5" 16:9
	Resolution (pixel)	1920 x 1080 (FHD)
	Number of Colors	16.7M colors (RGB 6-bit + Hi FRC)
	View Angle (H/V)	170(H) / 160(V)
	Brightness (nit)	250 nits
	Contrast Ratio	1000:1 (Typ)
Touch Panel	Type	Full flat resistive touch panel
	Light Transmission	80 ± 5%
	Hardness	4H
	Lifetime	490,000 hours
Storage & Expansion	Storage	2.5" SATA HDD
	Expansion	Mini PCIe x 2
I/O Ports	USB	1 x M12 8pin for USB 1/2, 1 x M12 8pin for USB 3/4
	COM	2 X M12 8pin/ RS-232
	LAN	1 x M12 8pin
	DC in	1 x M12 5pin DC power connector
	Control Keys	Rear bottom: Power on / off
Power	Power input	DC 7V~32V
	Power adapter	AC100~277V/ 47 ~ 63 Hz / DC output 12V, IP67, 60W
	Power consumption	40.2 W
Environmental	Temperature	Operating Temperature: 0~40°C (12V DC)
	Humidity	Operating & Storage: 10 ~ 90%, non-condensing
	Water/Dust resistance	IP66 / NEMA4X / IP69K whole set
Mechanical Characteristics	Housing	Stainless steel (SUS304), chassis type
	Dimensions (Net: mm)	557 x 348.5 x 58.5
	Weights (Net: kg))	12kg
	Mounting	VESA 100*100, Side mount (M6 x 2)
Certification	CE/ FCC/ VCCI Class B	

WTP-8B66-22

Stainless Steel Panel PC



Major Options	
Add On Parts	1.Wireless or Wireless and BT kit (2 ant), 2.SSD, 3. Robust Antenna, 4. Waterproof USB 3.0, 5.Stainless M12 connector , 6. External LAN x 2, 7. Cable Gland for External I.O.
Add On Cable	1.Waterproof COM cable x 1, 2.Waterproof USB cable x 1, 3. Waterproof LAN cable x1 4.Maximum length is 5.2 meters by 2x2m DC cables
Optional kits	1.Wall mount / Table mount bracket
Customization	1.Sunlight readable optical bonding, 2.1000 nit high brightness LCD, 3.LCD Auto dimming, 4.LCD Super dimming (low brightness), 5.2W/5W Speaker, 6.IP67, 7.Second HD, 8.COM+Power 5V/12V, 9.SUS316 enclosure

Order Information

Item	Cooling	Description
WTP-8B66-22 (J1900)	Fanless	21.5" Celeron J1900/ 2G RAM/ 500G HDD/ Full flat R-touch



- ① Giga LAN
- ② USB 1/2
- ③ USB 3/4
- ④ COM x 2
- ⑤ DC-in
- ⑥ Power on/off

