

WPC-765E

Intel Core i Medical Grade Fanless Expandable Box PC



Key Features

- Intel 3rd Generation (Ivy Bridge) Core i7/i5/i3 CPU
- True Fanless design for 0°C~40°C operating temp
- Medical 60601-1 3rd edition certification
- Rugged SECC/aluminum metal enclosure
- Rich 6 COM ports for control applications
- Mini PCIe sockets for WLAN & other add-on expansions
- 16 GB maximum memory for dual channel DDR3 SODIMM
- Optional 4KV Isolation Card (COM x 2, LAN, USB)

Main System

CPU	Support Ivy bridge Intel® Core™ i7 i5/i3 rPGA Socket Type Processor (35W max.)
Chipset	Intel HM 76 PCH
VGA	Intel integrated HD Graphics 4000 by Ivy bridge CPU
Audio	Realtek ALC262 Audio Codec, 2+2 watts power amplifier
Memory	16GB maximum, x 2 DDR3 SODIMM, 1066/1333/1600 MHz
Serial ATA	SATA3, 300 MB/s transfer rate x 1
WDT	Generates system reset; 256 segments, 0, 1, 2...255 sec/min.
COM	x 6 (RS232 x 5, RS232/RS422/RS485 x 1)
USB	x 4 (USB 2.0 x 2 , USB 3.0 x 2)
LAN	RJ-45 x 2 (Gigabit Ethernet)
BIOS	Brand: AMI Flash ROM size: 4M byte Support RTC wakeup /Wake on LAN / Power on after power failure/PnP/ACPI/RTC

Storage & Expansion

HDD 2.5" SATA HDD drive bay x 1 + anti-vibration kit, 320GB

Expansion slot Mini PCIe x 1 (52 pin card-edge type)
PCI-E x 16 expansion slot x 1 (Generation 3.0)

I/O & Control Keys

USB	USB 2.0 x 2, USB 3.0 x 2
COM	RS232 x 5, RS232/422/485 x 1 <w/ auto flow control>
LAN	RJ-45 x 2 ,Gigabit
Audio	Line-out, Microphone-in (3.5 mm phone-jack)
Video output	DVI-I x 1 , or DVI-D x1 + CRT x1 (option, via Y cable)
Power input	DC-in x 1, 6V~32V
Control keys	• Front: Power on/off • Rear bottom: Reset

Power

Power adaptor	100 watts, AC input 90 ~ 264V / 47 ~ 63 Hz / DC output 12V, 1.2m DC cable (Medical Grade)
Power consumption	45.6 watts (Typical, without any add-ons) 59.5 watts (WPC-765E + Isolation)

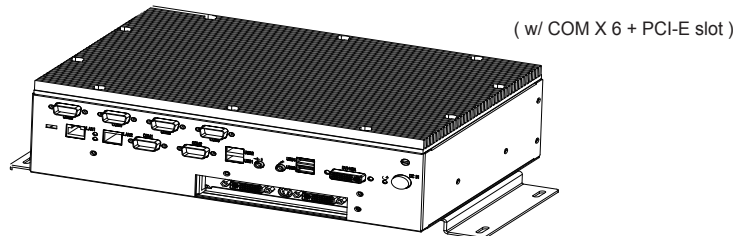
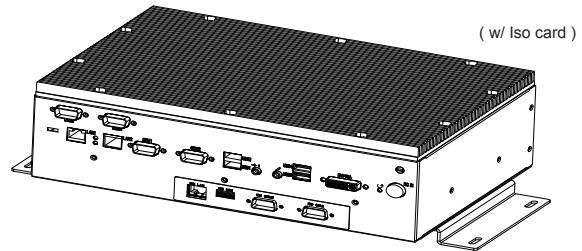
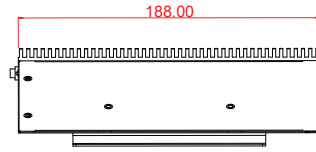
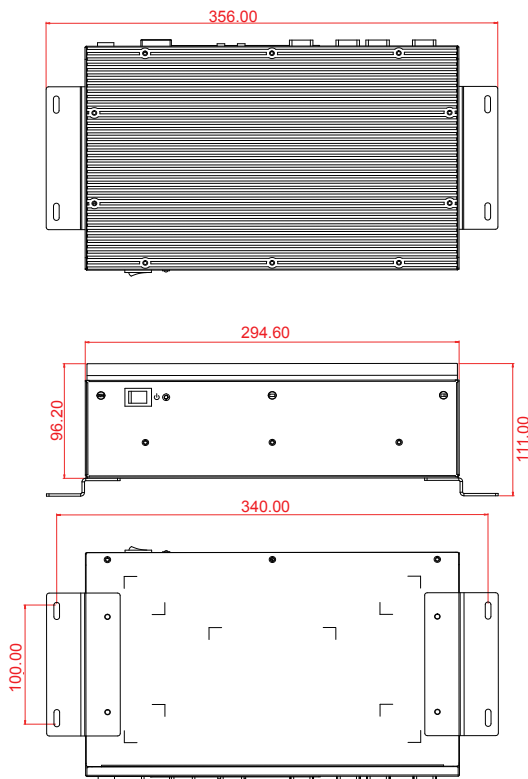
Mechanical & Environmental

Housing materials	Aluminum heatsink and SECC with black coating
Cooling	Fanless
Temperature	• Operating : 0°C~40°C (air flow) w / HDD • Storage : -20°C~60°C
Add-On Card	• Isolation Board 0~40°C • Under 20W card (0~40°C)
Mounting	Bracket mounting mechanism
Dimension	320 x 188 x 96 mm (W x H x D, Standard type)
Weight (net)	3.9 Kg (w/o power adaptor)
Humidity	Operating & storage – 10%~90%, non-condensing
Kensington Lock Hole	One at rear
Regulatory	UL/cUL 60601-1 version 3, FCC class B , EN 60601-1 , EN60601-1-2:2007 , ISO 14971

WPC-765E

Intel Core i Medical Grade Fanless Expandability Box PC

Outline Dimension



Packaging / Options / Customization

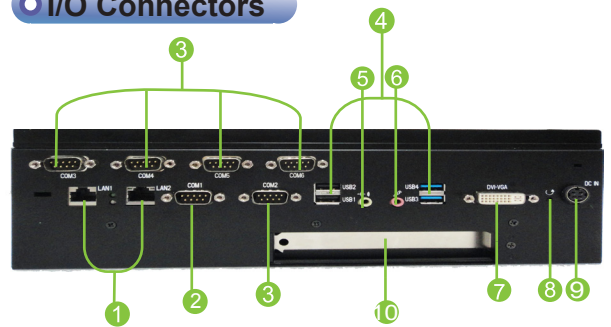
Packaging System, power adaptor, AC power cord, DVD (drivers & manual), mounting bracket

Options

- . 802.11 a/b/g/n WLAN module (Mini PCIe)
- . Equipotential terminal pin
- . DVI+VGA Y cable
- . PCI-E x16 or PCI raiser card
- . 4KV Isolation Card (LAN x1 & USB x1 & COM x2)

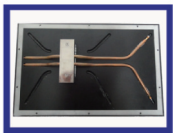


I/O Connectors



- | | |
|-------------------------|----------------------|
| 1 LAN x 2 | 6 Microphone-in |
| 2 RS232/422/485 | 7 DVI-I |
| 3 RS232 x 5 | 8 Reset |
| 4 USB x 4 (USB 2.0/3.0) | 9 DC-in |
| 5 Line out | 10 PCI-E or PCI slot |

Product Photo



Thermal Design



Medical Adaptor

Ordering Information

- CPU: Core i3 2.4G / Core i5 2.5G (Default) / Core i7 2.2G
- Memory: 2G / 4G / 16G
- HDD: 320G / 500G
- WLAN: None / x 1
- Expansion: PCI / PCI-E
- DVI + VGA Y Cable: None / x 1
- 4KV Isolation Card: None / x 1



Wincomm Corporation

3F, NO. 14, Prosperity Road II, Science-Based Industrial Park,
Hsinchu, Taiwan 30078, R.O.C

Web: www.wincomm.com.tw

Contact: sales_support@wincomm.com.tw

Tel : +886 3 578 0000 Fax: +886 3 578 0295