

Medical Grade Panel PC 21.5 inch Series

WMP-22A



Key Features

- 21.5" Intel Broadwell Fanless Medical Panel PC
- 21.5" FHD 1920x1080 LED Panel
- P-CAP multi-touch
- Medical UL60601-1 3rd edition certification
- Anti-bacteria (MRSA) plastic housing
- Friendly design of front function hot-keys
- Optional PCI/PCle expansion slot
- Optional 4KV LAN/COM/USB isolation I/O
- Optional built-in battery pack

Main System

CPU	FCBGA1168 5th generation Intel® Core i7/i5/i3 processor (15W max.)
Chipset	SoC
VGA	Intel® integrated HD Graphics 5500 by CPU
Memory	Two 1600 MHz DDR3L SODIMM socket support dual Channel, non-ECC, up to 16GB
Speaker	1.5W x 2

LCD Panel

Size	21.5" 16:9
Resolution	1920 x 1080 (Full HD)
Color numbers	16.7M colors (RGB 6-bit + Hi FRC)
Viewing angle	170 (H) / 160 (V)
Contrast	1000:1

Touch Panel

Type	Full flat projective capacitive touch panel
Light transmission	90% ± 3%
Hardness	7H pencil, pressure 750g/45°
Life time	100M times

Storage & Expansion

HDD	2.5" SATA HDD drive bay x 1, 2nd HDD drive bay as option (For resistive touch type only)
Expansion slot	<ul style="list-style-type: none">• PCI-E x4 expansion slot x 1 (25W max, can't co-exist with isolated module)• Card size: 100mm (W) x 220mm (D) x 14mm (H)• Mini PCIe x 2 (52 pin card-edge type)

I/O & Power & Control Keys

USB	USB 3.0 x 2, USB 2.0 x 2
COM	RS232 x 1, RS232/RS422/RS485 x 1 (RS-485 auto flow support, Jumpless by BIOS)
LAN	RJ-45 x 2, Gigabit
Video-out	DP x 2
Audio	Line-out, Microphone-in (3.5 mm phone-jack)
Power input	DC-in x 1, 7V~32V (9V~28V with battery pack)
Power adaptor	AC input 90 ~ 264V / 47~63 Hz / DC output 12V, medical grade, 1.2m DC cable
Power consumption	78.2 W (MAX. loading without adaptor)
Control keys	Power on/off, Brightness, Audio volume, Backlight on/off, touch / hot key lock on/off

Mechanical & Environmental

Housing	<ul style="list-style-type: none">• Front: Full flat design / Touch (standard), Glass (Customization)• Rear: Plastic + I/O cover w/ antibacterial treatment• Anti-bacteria (MRSA)
IP rating	IP65 – front side
Cooling	Fanless
Dimension	540 x 375 x 78 mm (W x H x D, w/o stand)
Weight (net)	7.0 Kg (approximate, w/o power adaptor)
Temperature	Operating : 0°C~35°C (chamber) Storage : -20°C~60°C
Humidity	Operating & storage – 10%~90%, non-condensing
Regulatory	<ul style="list-style-type: none">• FCC/CE/VCCI Class B• cULus Mark/UL60601-1• EN60601-1 approved / ISO 14971 / IEC-62133• Energy star 6.1 compliance

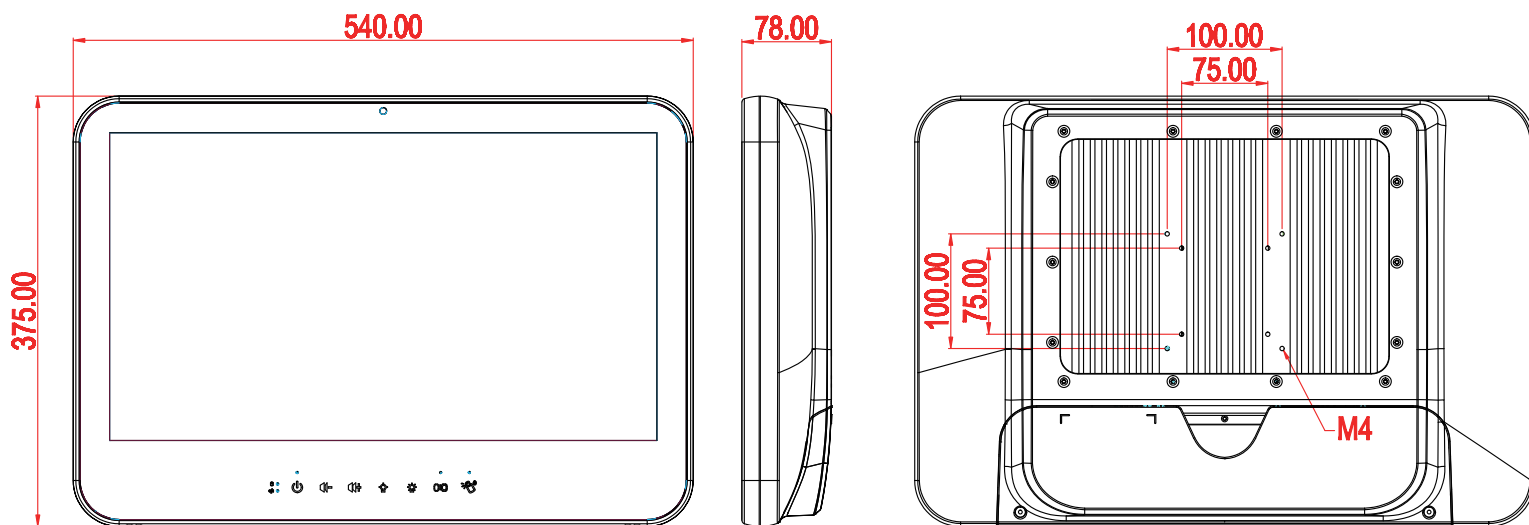
Ordering Information

WMP-22A (i5)	22" FANLESS	i5-5200U/4G/500G/P.cap
WMP-22A (i7)	22" FANLESS	i7-5500U/4G/500G/P.cap

Medical Grade Panel PC 21.5 inch Series

WMP-22A

Outline Dimension



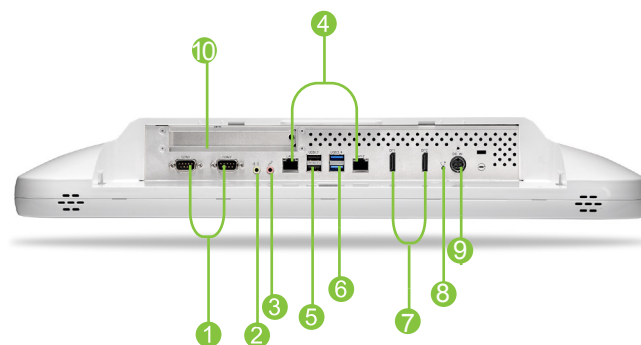
Options

- WLAN – 802.11 a/b/g/n mini PCIe module with internal antenna x 2
- 802.11a/b/g/n dual-band 2T2R with Bluetooth
- Webcam (3.2M pixel, USB)
- Battery pack
- PCI-E x4 riser card
- Power adaptor w/ 2.4m or 3.6m DC cable
- Anti-bacteria desktop stand (metal, white)
- Equipotential terminal pin
- AG Film
- TPM 1.2 module
- mSATA module
- Microphone on I/O cover
- 4KV Isolation Card x 1
(Isolation COM x 2, Isolation LAN x 1, Isolation USB x 1)

Customized

- USB 5,6 or COM 3,4
- Tempered glass
- Resistive Touch
- RFID (13.56Hz)

I/O Connectors



- | | |
|-----------------|-----------------------|
| ① COM x 2 | ⑥ USB 3.0 x 2 |
| ② Line-out | ⑦ DP x 2 |
| ③ Microphone-in | ⑧ Reset |
| ④ LAN x 2 | ⑨ DC-in |
| ⑤ USB 2.0 x 2 | ⑩ PCI-E/PCI expansion |

