

WMP-227V

21.5" -Wide Screen Core i Fanless Medical Panel PC



Key Features

- Intel 3rd Generation (Ivy Bridge) Core i7/i5/i3 CPU
- 21.5" wide full HD 1920x1080 LCD with LED backlight
- Front full flat resistive touch with IP65 rating
- Optional projected capacitive multi-touch screen
- Fanless operating with reliable thermal design
- Anti-bacteria (MRSA) plastic housing
- Medical 60601-1 3rd edition certification
- Optional internal battery pack for 25 minutes operating
- Optional Wifi, Webcam, Bluetooth and RFID reader
- Optional PCI-E x 16 or PCI raiser card
- Customization for 4KV LAN/COM/USB isolation Card

Main System

CPU	FCBGA1023 3rd Generation Intel® Core i7/i5/i3/Celeron® processor (17W max.)
Chipset	Intel BD82HM65 PCH
Graphics	• Intel Core i7-3517U /Core i5-3317U /Core i3-3217U: Intel HD Graphics HD 4000 • Celeron 847E: Intel HD Graphics
Memory	8GB maximum, DDR3 SODIMM x 2, 1066/1333MHz, 2GB/4GB/8GB
Serial ATA	SATA3 x 2, 600MB/s transfer rate
USB	x 7 (socket), USB 2.0 (external x 4 , internal x 4)
COM	x 6 (external x 2 , internal x 4)
Audio	Realtek ALC262 audio codec, 2+2 watts amplifier
LAN	Marvell 88E8071 Gigabit Ethernet x 2
BIOS	• AMI BIOS, 4M EEPROM • RTC wake up / Wake on LAN / Power on after power failure / PnP / ACPI
Speaker	1.5W x 2

LCD Panel

Size	21.5" wide 16:9
Resolution	Full HD 1920 x 1080
Brightness	250 nits
Contrast	1000:1
Color numbers	16.7M (6-bit x 3 + Hi FRC)
Viewing angle	170 (H) / 160 (V)
Response time	5 ms (Typ)
Backlight	LED, 30,000 hours life time

Touch Panel

Technology	5-wire resistive touch (default)	Projected capacitive touch (option)
Type	Front full flat touch panel	Front full flat 4 point touch panel
Transparency	> 78% (at 550 nm wavelength)	90% ± 3%
Hardness	3H	7H
Durability	Knock 35 million times	Knock 100 million times

Storage & Expansion

HDD	2.5" SATA HDD drive bay x 1 + anti-vibration kit, 320GB / 500GB (If using the P CAP touch, it will not support a second HDD)
Expansion slot	• PCI-E (x16) x 1 or PCI x 1 (Optional) • Card size: 100 x 155 x 18/0.5 mm or 68 x 220 x 18/0.5 mm • Mini PCIe x 2 (52 pin card-edge type)

I/O & Control Keys

USB	USB 2.0 x 4
COM	DB-9 x 2 (RS232, RS232/422/485<w/ auto flow control>)
LAN	RJ-45 x 2, Gigabit
Video-out	DVI-I x 1
Audio	Line-out, Microphone-in (3.5 mm phone-jack)
Power input	DC-in x 1, 6V~32V
Control keys	• Front side, projected capacitive type • Power on/off, Brightness, Audio volume, Backlight on/off, Touch on/off

Power

Power adaptor	External, 100 watts, 90~264V AC in, 12V DC out, medical grade, 1.2m DC cable
Power consumption	65 watts (typical, without any add-ons)
Internal battery (optional)	• Lithium-Ion, 29Wh, for 25 minutes operating (approx.), 2S2P • Charge time: 2 hours (system off), 3.5 hours (system on)

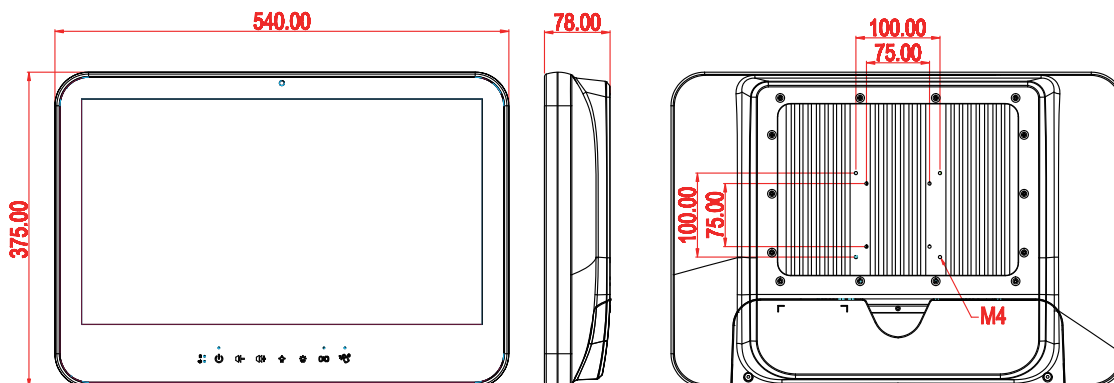
Mechanical & Environmental

Housing	• Front: Full flat design / Touch (standard), Glass (optional) • Rear: Plastic + I/O cover w/ antibacterial treatment
Color	• Housing: White • Control key icons: Silver Grey / Pantone no. Cool grey 8C
IP rating	IP65 – front side
Cooling	Fanless w/ back cover aluminum thermal plate
Mounting	VESA 75 x 75 / 100 x 100 mm
Kensington lock	Yes, x 1 at bottom
Dimension	540 x 375 x 78 mm (W x H x D, w/o stand)
Weight (net)	7.0 Kg (approximate, w/o power adaptor)
Temperature	• Operating – 0°C~40°C • Storage – -20°C~60°C
Humidity	Operating & storage – 10%~90%, non-condensing
Regulatory	• FCC-B, cUL, CE, VCCI • Medical 60601-1 3 rd edition (EN 60601-1:2006, ANSI/AAMI ES60601-1:2005, CAN/CSA C22.2 No. 60601-1:08)

WMP-227V

21.5"- Wide Screen Core i Fanless Medical Panel PC

Outline Dimension



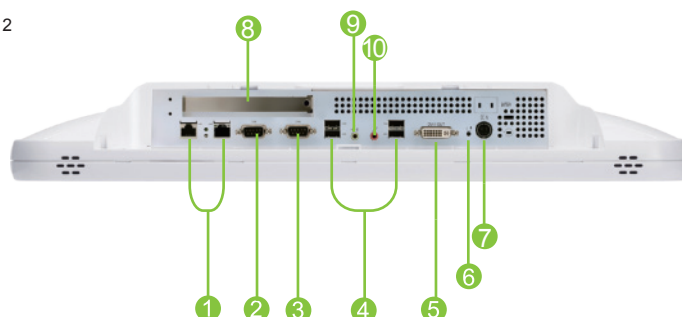
Packaging / Options / Customization

Packaging System, power adaptor, AC power cord, DVD (drivers & manual)

- Options**
- WLAN 802.11 a/b/g/n mini PCIe module with internal antenna x 2
 - 802.11a/b/g/n dual-band 2T2R with Bluetooth
 - Webcam (2M pixel, USB)
 - Battery pack
 - RFID reader (13.56Hz, USB)
 - PCI-E x16 or PCI raiser card
 - Power adaptor w/ 2.4m or 3.6m DC cable
 - Anti-bacteria desktop stand (metal, white)
 - Microphone on I/O cover
 - Projected capacitive multi-touch
 - PoE card

- Customization**
- Add extra two COM ports
 - 4KV Isolation Card x 1 (Isolation COM x 2, Isolation LAN x 1, Isolation USB x 1)
 - Change touch to glass
 - High Speed USB 3.0 x 2

I/O Connectors



- | | |
|-----------------|-----------------------|
| ① LAN x 2 | ⑥ Reset |
| ② RS232/422/485 | ⑦ DC-in |
| ③ RS232 | ⑧ PCI-E/PCI expansion |
| ④ USB x 4 | ⑨ Line-out |
| ⑤ DVI-I | ⑩ Microphone-in |



Ordering Information

- CPU: Core i5 1.7G (default) / Core i7 1.9G / Celeron 1.1G
- Memory: 2G / 4G / 8G
- HDD: 320G / 500G
- Power adaptor: 1.2m / 2.4m / 3.6m DC cable
- WLAN: None / x 1
- Bluetooth + WLAN: None / x 1
- Battery pack: None / x 1
- RFID reader: None / x 1
- Expansion: None / PCI-E / PCI
- Webcam: None / x 1
- Desktop stand: None / x 1
- Touch: Projected capacitive multi-touch / 5 wire resistive touch
- PoE: None / x 1



Web: www.wincomm.com.tw

Contact: sales_support@wincomm.com.tw

Wincomm Corporation

3F, NO. 14, Prosperity Road II, Science-Based Industrial Park,
Hsinchu, Taiwan 30078, R.O.C

Tel: +886 3 578 0000 Fax: +886 3 578 0295