

# WMP-226V

21.5" -Wide Screen Core i High Performance Medical Panel PC



## Key Features

- Intel 3rd Generation (Ivy Bridge) Core i7/i5/i3 CPU
- 21.5" wide full HD 1920x1080 LCD w/ LED backlight
- Front full flat resistive touch with IP65 rating
- Optional projected capacitive multi-touch screen
- Anti-bacteria (MRSA) plastic housing
- Medical 60601-1 3<sup>rd</sup> edition certification
- Variable speed low noise fan and HDD anti-vibration design
- Optional internal battery pack for 20 minutes operating
- Optional Wifi, Webcam, Bluetooth and RFID reader
- Optional PCI-E x 16 or PCI raiser card
- Customization for 4KV LAN/COM/USB isolation Card

## Main System

<b>CPU</b>	rPGA988B 3rd Generation Intel® Core i7/i5/i3/ Celeron® processor (35W max.)
<b>Chipset</b>	Intel® BD82HM65 PCH
<b>Graphics</b>	• Intel Core i7-3517U /Core i5-3317U /Core i3-3217U: Intel HD Graphics HD 4000 • Celeron 847E: Intel HD Graphics
<b>Memory</b>	8GB maximum, DDR3 SODIMM x 2 , 1066/1333MHz, 2GB/4GB/8GB
<b>Serial ATA</b>	SATA3 x 2, 600MB/s transfer rate
<b>USB</b>	x 7 (socket), USB 2.0 ( external x 4, internal x 3 )
<b>COM</b>	x 6 ( external x 2 , internal x 4 )
<b>Audio</b>	Realtek ALC262 audio codec, 2+2 watts amplifier
<b>LAN</b>	Marvell 88E8071 Gigabit Ethernet x 2
<b>BIOS</b>	• AMI BIOS, 4M EEPROM • RTC wake up / Wake on LAN / Power on after power failure / PnP / ACPI
<b>Speaker</b>	1.5W x 2

## LCD Panel

<b>Size</b>	21.5" wide 16:9
<b>Resolution</b>	Full HD 1920 x 1080
<b>Brightness</b>	250 nits
<b>Contrast</b>	1000:1
<b>Color numbers</b>	16.7M (6-bit x 3 + Hi FRC)
<b>Viewing angle</b>	170 (H) / 160 (V)
<b>Response time</b>	5 ms (Typ)
<b>Backlight</b>	LED, 30,000 hours life time

## Touch Panel

Technology	5-wire resistive touch (default)	Projected capacitive touch (option)
<b>Type</b>	Front full flat touch panel	Front full flat 4 point touch panel
<b>Transparency</b>	> 78% (at 550 nm wavelength)	90% ± 3%
<b>Hardness</b>	3H	7H
<b>Durability</b>	Knock 35 million times	Knock 100 million times

## Storage & Expansion

<b>HDD</b>	2.5" SATA HDD drive bay x 1 + anti-vibration kit, 320GB / 500GB ( If using the P CAP touch, it will not support a second HDD )
<b>Expansion slot</b>	• PCI-E (x16) x 1 or PCI x 1 (Optional) • Card size: 100 x 155 x 18/0.5 mm or 68 x 220 x 18/0.5 mm • Mini PCIe x 2 (52 pin card-edge type)

## I/O & Control Keys

<b>USB</b>	USB 2.0 x 4
<b>COM</b>	DB-9 x 2 (RS232, RS232/422/485 <w/ auto flow control>)
<b>LAN</b>	RJ-45 x 2, Gigabit
<b>Video-out</b>	DVI-I x 1
<b>Audio</b>	Line-out, Microphone-in (3.5 mm phone-jack)
<b>Power input</b>	DC-in x 1, 6V~32V
<b>Control keys</b>	• Front side, projected capacitive type • Power on/off, Brightness, Audio volume, Backlight on/off, Touch on/off

## Power

<b>Power adaptor</b>	External, 100 watts, 90~264V AC in, 12V DC out, medical grade, 1.2m DC cable
<b>Power consumption</b>	75 watts (typical, without any add-ons)
<b>Internal battery (optional)</b>	• Lithium-Ion, 29Wh, for 20 minutes operating (approx.), 2S2P • Charge time: 2 hours (system off), 3.5 hours (system on)

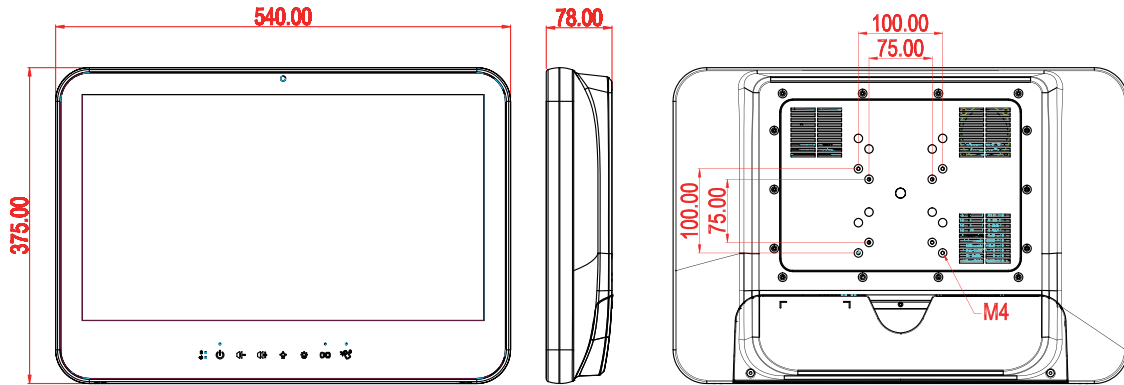
## Mechanical & Environmental

<b>Housing</b>	• Front: Full flat design / Touch (standard), Glass (optional) • Rear: Plastic + I/O cover w/ antibacterial treatment • Anti-bacteria (MRSA)
<b>Color</b>	• Housing: White • Control key icons: Silver Grey (Pantone no. Cool grey 8C)
<b>IP rating</b>	IP65 – front side
<b>Cooling</b>	Variable speed smart fan design, < 30 dB (typical)
<b>Mounting</b>	VESA 75 x 75 / 100 x 100 mm
<b>Kensington lock</b>	Yes, x 1 at bottom
<b>Dimension</b>	540 x 375 x 78 mm (W x H x D, w/o stand)
<b>Weight (net)</b>	6.5 Kg (approximate, w/o power adaptor)
<b>Temperature</b>	• Operating – 0°C~40°C • Storage – -20°C~60°C
<b>Humidity</b>	Operating & storage – 10%~90%, non-condensing
<b>Regulatory</b>	• FCC-B, cUL, CE, VCCI • Medical 60601-1 3 <sup>rd</sup> edition (EN 60601-1:2006, ANSI/AAMI)

# WMP-226V

21.5" -Wide Core i High Performance Medical Panel PC

## Outline Dimension



## Packaging / Options / Customization

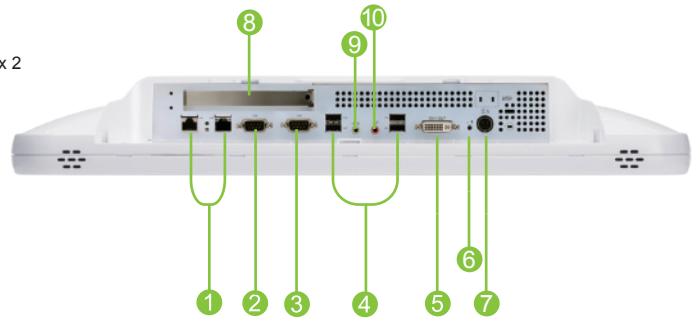
**Packaging** System, power adaptor, AC power cord, DVD (drivers & manual)

- Options**
- WLAN – 802.11 a/b/g/n mini PCIe module with internal antenna x 2
  - 802.11a/b/g/n dual-band 2T2R with Bluetooth
  - Webcam (2M pixel, USB)
  - Battery pack
  - RFID reader (13.56Hz, USB)
  - Video Graphic card (PCI-E x 16)
  - PCI-E x16 or PCI raiser card
  - Power adaptor w/ 2.4m or 3.6m DC cable
  - Anti-bacteria desktop stand (metal, white)
  - Microphone on I/O cover
  - Projected capacitive multi-touch
  - PoE card

- Customization**
- Add extra two COM ports
  - 4KV Isolation Card x 1 (Isolation COM x 2, Isolation LAN x 1, Isolation USB x 1)
  - Change touch to glass
  - High Speed USB 3.0 x 2



## I/O Connectors



- ① LAN x 2
- ② RS232/422/485
- ③ RS232
- ④ USB x 4
- ⑤ DVI-I
- ⑥ Reset
- ⑦ DC-in
- ⑧ PCI-E/PCI expansion
- ⑨ Line-out
- ⑩ Microphone-in



## Ordering Information

- CPU: Core i5 1.7G (default) / Core i7 1.9G / Celeron 1.1G
- Memory: 2G / 4G / 8G
- HDD: 320G / 500G
- Power adaptor: 1.2m / 2.4m / 3.6m DC cable
- WLAN: None / x 1
- Bluetooth + WLAN: None / x 1
- Battery pack: None / x 1
- RFID reader: None / x 1
- Expansion: None / PCI-E / PCI
- Webcam: None / x 1
- Desktop stand: None / x 1
- Touch: Projected capacitive multi-touch / 5 wire resistive touch
- Video Graphic card: None / x 1
- PoE: None / x 1



Web: [www.wincomm.com.tw](http://www.wincomm.com.tw)

Contact: [sales\\_support@wincomm.com.tw](mailto:sales_support@wincomm.com.tw)

### Wincomm Corporation

3F, NO. 14, Prosperity Road II, Science-Based Industrial Park,  
Hsinchu, Taiwan 30078, R.O.C

Tel : +886 3 578 0000 Fax: +886 3 578 0295