

# WMP-177

## 17" Intel Core 2 Duo High Performance Medical Panel PC



### Features

- 17" True Color Diagnostic Panel
- High Performance Intel Core 2 Duo Mobile Processor support
- HDD Anti-vibration mechanism
- Anti-bacteria coating (Against Escherichia coli & Staphylococcus Aureus)
- Smart Fan (Low noise) Design
- Support PCIe x16
- iAMT support
- 2M pixel WebCAM (Option)
- Supports 802.11 a/b/g/n Wireless Solution with internal antenna (Option)
- A+DVB-T TV tuner + non-DICOM Capture card (Option)
- Bluetooth v2.0 module (Option)
- RoHS compliance

### System

CPU	Intel® Core™ 2 Duo T9400 2.53G Intel® Core™ 2 Duo P8400 2.26G
FSB	800 /1066 MHZ
Chipset	Intel® GM45+ICH9EM
BIOS	Phoenix
VGA	Intel® GM45 integrated 4500MHD
DVI	One DVI 29 pin output
Audio	Realtek ALC286 Audio Codec, 2+2 watts power amplifier
LAN	Gigabit Ethernet x 1, Intel 82567
Memory	Two Dual Channel DDR3 SODIMM socket supports up to 4GB
I/O	ICH9EM
Serial ATA	Port x 1 with 300 MB/s transfer rate x 1, SATA-2
Serial Port	RS232 x 2 / RS232,422,485 x 1
USB	6 USB 2.0 ports (4 ports in the rear I/O region, 2 ports with on-board pin)
WDT	Generates system reset; 256 segments
iAMT	Wire only

### Expansion

PCI-E x16	PCI-E 1.1 slot x 1
Mini-PCIe	52-pin Card - edge type x 2

### External I/O

VGA	DB-15 x 1
DVI	DVI-D x 1
Audio Jack	3.5mm phone jack connector x 3 (Line-in, Line-out, and Mic-in)
USB	USB 2.0 x 4
COM	RS232 x 2 / RS232,422,485 x 1
LAN	RJ45 x1 for Gigabit Ethernet
Switch	Reset key at bottom
Speaker	2W x 2
Front Bezel	LED Indicator/ Hot Key (Power Button/ Audio adjustment +/- / Brightness +/-)

### Mechanical & Environmental

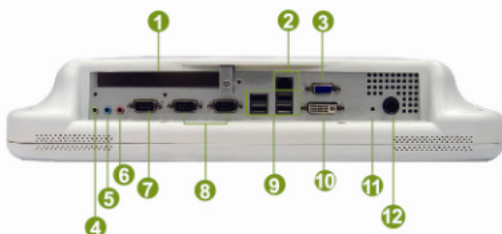
Power Input	DC12V-28V
Power Adapter	AC 90 ~ 264V / 47 ~ 63 Hz / DC output 12V
Operation Temperature	0~40°C
Operation Relative Humidity	10%~90%, non-condensing
Dimension	420 x 360 x 83mm ( W x H x D)
Weight	6.5kg
Mounting	VESA Mount 75/100mm
Regulations	cUL 60601-1, EN60601-1, EN 60601-1-2
Noise Level	FCC/VCCI class B Under 35 dB at 25°C (Normal speed, w/o add-on card)
IP65 at front side //IPX1 whole system	

### LCD Panel

Panel	17", 1280 x 1024, 380nits
Touch	Analog Resistive, 5 wire

### Storage

HDD	2.5" SATAII HDD drive bay x 1
-----	-------------------------------

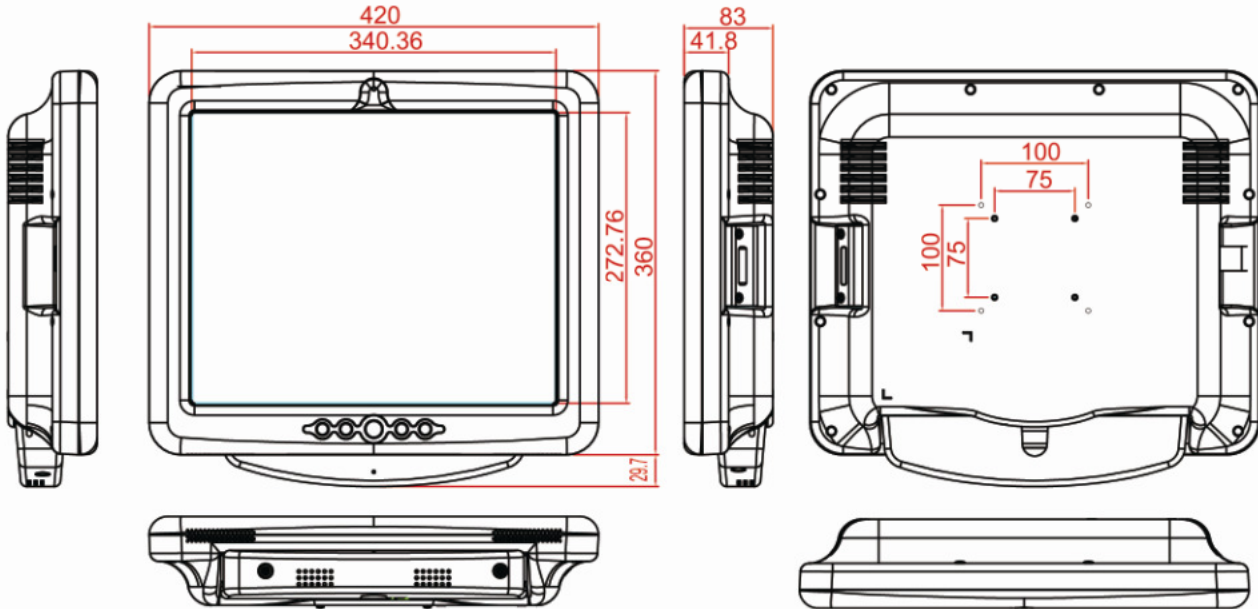


- |                     |                |
|---------------------|----------------|
| 1 PCI-E Slot        | 8 RS232 x 2    |
| 2 Giga LAN          | 9 USB x 4      |
| 3 VGA               | 10 DVI-D       |
| 4 Line-out          | 11 Reset       |
| 5 Line-in           | 12 Power DC-in |
| 6 Mic-in            | 13 I/O cover   |
| 7 RS232 / 422 / 485 |                |

# WMP-177

17" Intel Core 2 Duo High Performance Medical Panel PC

## Drawing



## Optional

- 2M pixel WebCAM module,
- Video capture/TV tuner card: PCIe x1, Hybrid A+DVB-T
- mini PCIe, 11 a/b/g/n
- Bluetooth v2.0 + EDR module
- WMP-17 Stand, VESA 75/100, white, L type

## Key Features



HDD Anti-vibration



Wireless LAN



TV tuner or Video Capture

## Ordering Information

WMP-177, WMP-177-PREA0, P8400 2.26G, DDR3 1G, SATA 160G (R-touch, PCI-E)

WMP-177, WMP-177-TREA0, T9400 2.53G, DDR3 1G, SATA 160G