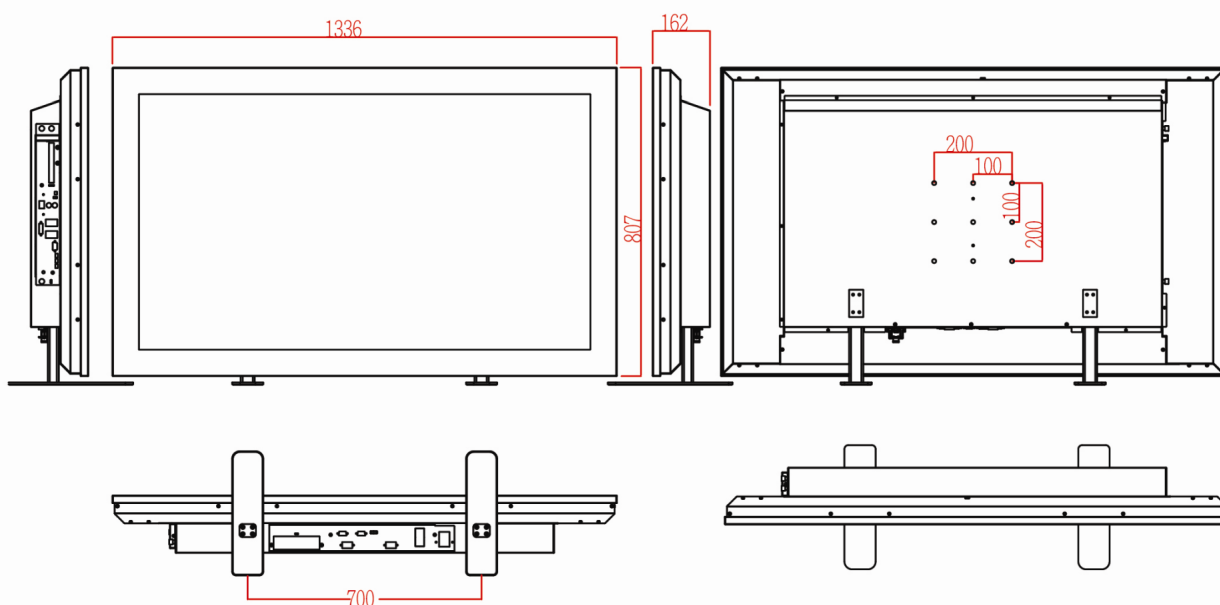


WMS-55PLUS2E

55" Intel Core 2 Duo All-in-one Digital Signage System

Drawing



Options

1. TV tuner function & Video capture function
2. Wireless LAN function
3. VGA card function
4. Stand x2
5. Bottom I/O cover
6. Side I/O cover
7. Web camera
8. Speakers (5W+5W) (portrait)
9. Wall mount bracket (200 x 200 mm x mm)
10. Magnetic stripe card reader

Power

Power input	Direct AC connector, ATX power supply to computer board, 100~240VAC, 50/60Hz, 3.9 A
Power consumption and Ampere	Display only: 278 W, 2.5 A With computer module: 426 W, 3.9 A
Power switch	IEC320 type, at AD board I/O side, x1
Reset switch	Huafeng Electronic HF606, at computer I/O side, x1
LED status indicator	Power and HDD indicator at computer board external I/O side (LED colors: Power: Green / Orange: HDD accessing)

Dimension and Weight

	WMS-55PLUS2 BK	WMS-55PLUS2 BKIT
Weight (without stand) kg	51.3	61.2
Weight (with stand) kg	53.3	63.2
Dimension (without stand) mm (W) x mm (H) x mm (D)	1336x807x145	1336x807x162
Dimension (with stand) mm (W) x mm (H) x mm (D)	1336x820x145	1336x820x162

External I/O

[Computer Side]

USB	USB 2.0 x 4
COM	RS232 x 1
LAN	RJ-45 x 2 (Gigabit Ethernet)
KB/Mouse	PS/2 Keyboard x1 & Mouse x 1
Audio	Line-in, Mic-in, Line-out audio jacks
DVI-D	Output x 1
IEEE1394a	Fire wire *1 (option)
GPIO connector	8 in 8 out (option)

[Bottom side]

VGA	Input x 1
VGA	Output x 1 (loop signal output with VGA input)
HDMI	Input x 1 (design in option)
Doggy door to access internal DVI-D input x 1	

Ordering Information

1. WMS-55PLUS2EBK(bezel + black body)-C2D2.6G CPU-1G RAM-160G HDD
2. WMS-55PLUS2EBKIT(bezel + black body + IR touch)-C2D2.6G CPU-1G RAM-160G HDD