

WMS-46 Plus3

46" Intel Core i3/i5/i7 All-in-one Digital Signage System



Features

- Compact and low noise design (35dB)
- Smart fan control
- Support 1920x1080 HDTV content
- Easy to swap PC board and option kits
- Structure by Modules
- IO Connectors are Easily Accessed
- VGA outputs for daisy chain Solution
- Intel Core i3/5/7 CPU + Q57 Platform
- Optical touch (option)

Specifications System

CPU	Intel® Socket LGA 1156, Support Intel Core i3/i5/i7 and Pentium G9650 CPU
CPU listing:	Standard: CORE i5-650, 3.2G Options: CORE i3-540, 3.06G Pentium G6950, 2.80G CORE i7-860, 2.80G
System bus	2.5GT/s
Chipset	Intel® Q57 Express PCH
Audio	Realtek ALC268 HD Audio Codec
LAN	Marvell 88E8071 Giga LAN x 1
Memory	Standard:2G Max:8G
I/O	Winbond W83267UHG
Serial ATA	SATA II controller (3.0Gb/sec) Port x 2
USB	5 USB 2.0 port (external I/O x 3, internal pin head x 2)
Serial COM	1 RS-232 (internal pin head), 1 RS-232/422/485 at I/O side
Mini PCIe	One Mini PCI express slot
WDT	1~255 second/minutes, software programmable
Speakers	(landscape, 10W+10W) (volume level controllable by IR remote control)

LCD Panel

Resolution	Full Full HD (1920 × 1080)
Active Area(mm)	1018.08(H) × 572.67(V)
Number of Colors	10 bit(8+FRC), 1073.7M
View Angle\	178/178
Brightness (cd/m ²)	500
Color Gamut	(NTSC) 72%
Contrast Ratio	4000:1
Life time	50000 hours

Touch Panel

Type	Optical, 6 point Multi-Touch
Glove	Yes
Stylus	Yes
Vandal	No
Interface	USB
Light Transmission	>=92%
Hardness	Glass hardness – Mohs 7
Glass thickness	4mm
Linearity	0.5mm
Resolution	12 Million Points over the touch area

Storage

HDD 2.5" SATAII HDD drive x 1 (integrated with PC module)
Standard: 320 G
Options: 500 G

Expansion

Mini PCI-E x 1
PCI-Ex16 x 1
PCI-Ex4 x 1

External I/O on Side

USB USB 2.0 x 3
COM DB-9 x 1 (RS-232/422/485)
LAN RJ-45 x 1 (Gigabit Ethernet)
Audio Mic-in, Line out audio jacks

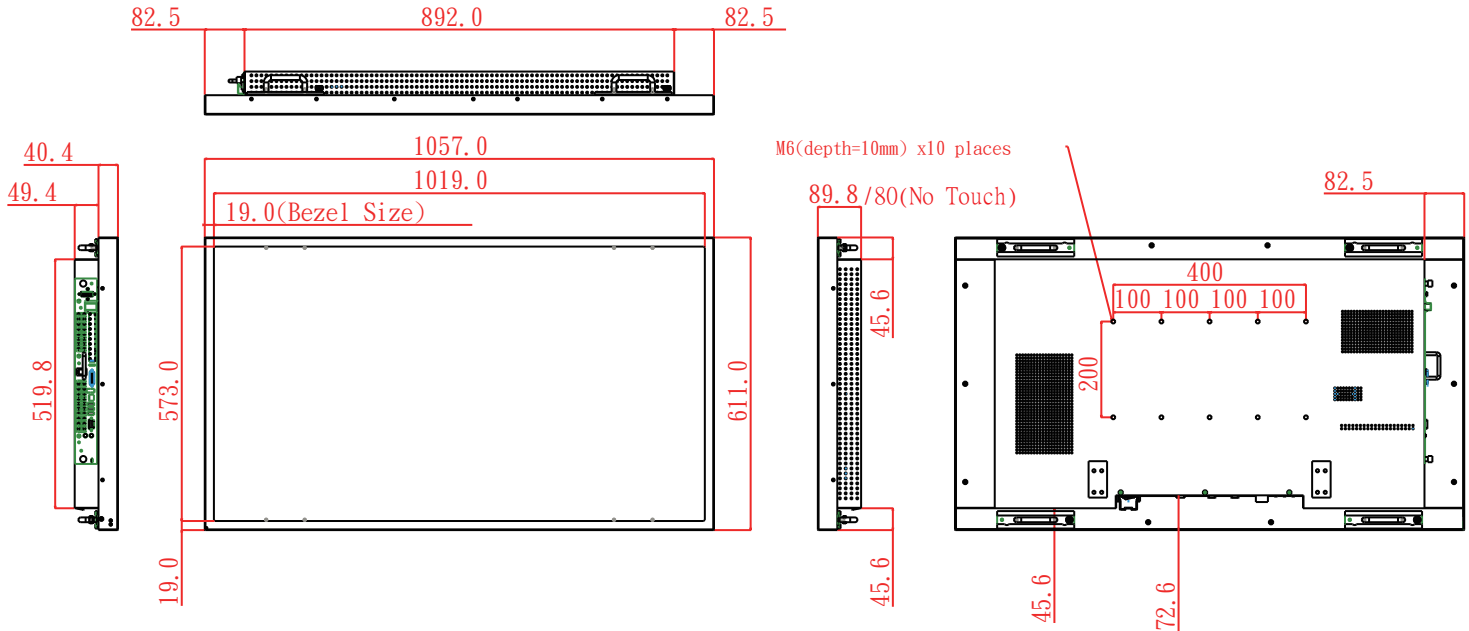
External I/O on bottom

VGA output x 1
VGA input x 1
IR receiver x 1 (optional and will disable default IR receiver function if this port is plugged)
Line in x 1
Line out x 2

WMS-46 Plus3

46" Intel Core i3/i5/i7 All-in-one Digital Signage System

Drawing



Power

Power input

Direct AC connector, ATX power supply to computer board,
100~240VAC, 50/60Hz

Power Switch

Main switch to turn on/off AC power (at the bottom side)
Switch to turn on/off mother board (at the external I/O of PC side)

Power LED

Power and HDD indicator at PC board external I/O side
(LED colors: Power: Green / Orange: HDD accessing)
PC module power and LCD display power are separately controllable
by IR remote control
Display status LED is located at left bottom side
(Power on: Green / Stand by: Red)

Dimension and Weight

- Outline dimension (WxHxD, mm):
no touch: 1072.5*573.5*80/with touch:1072.5*573.5*93.5
- Weight (Kg): no touch: 29.1 / with touch: 35.1 kg

Customization

TPM module

Ordering Information

- CPU: Core i5 3.2G / Core i7 2.8G / Core i3 3.06G / Pentium G6950 2.8G
- Memory: 2G / 4G / 8G
- HDD: 320G / 500G
- Stand: None / x 1
- WLAN: None / x 1
- Touch: None / x 1
- Graphic card: None / x 1
- Wall mount bracket: None / x 1
- Remote IR receiver kit: None / x 1
- IO cover: None / x 1

Mechanical & Environmental

Mainbody

SECC, black (Panton no. 8238), power coating

Operating Temperature

0°C ~ 40°C

Storage Temperature

-20°C ~ 60°C

Operating Humidity

10 ~ 90%

Storage Humidity

10 ~ 90%

Noise Level

35 dB (25°C)

Kensington lock hole

Computer module I/O side x 1

IR remote control sensor at front bezel left bottom corner,
with flat top light guide to receiver IR control signal

Regulatory

FCC-A, CE (EMC), UL/cUL

Options:

- Wireless LAN
- Graphic card (For Core i7-860)
- Stand
- Wall mount bracket
- Optical touch
- Remote IR receiver kit
- IO cover (computer side)



Wincomm Corporation

3F, NO. 14, Prosperity Road II, Science-Based Industrial Park,
Hsinchu, Taiwan 30078, R.O.C
Tel: +886 3 578 0000 Fax: +886 3 578 0295

Web: www.wincomm.com.tw

Contact: sales_support@wincomm.com.tw