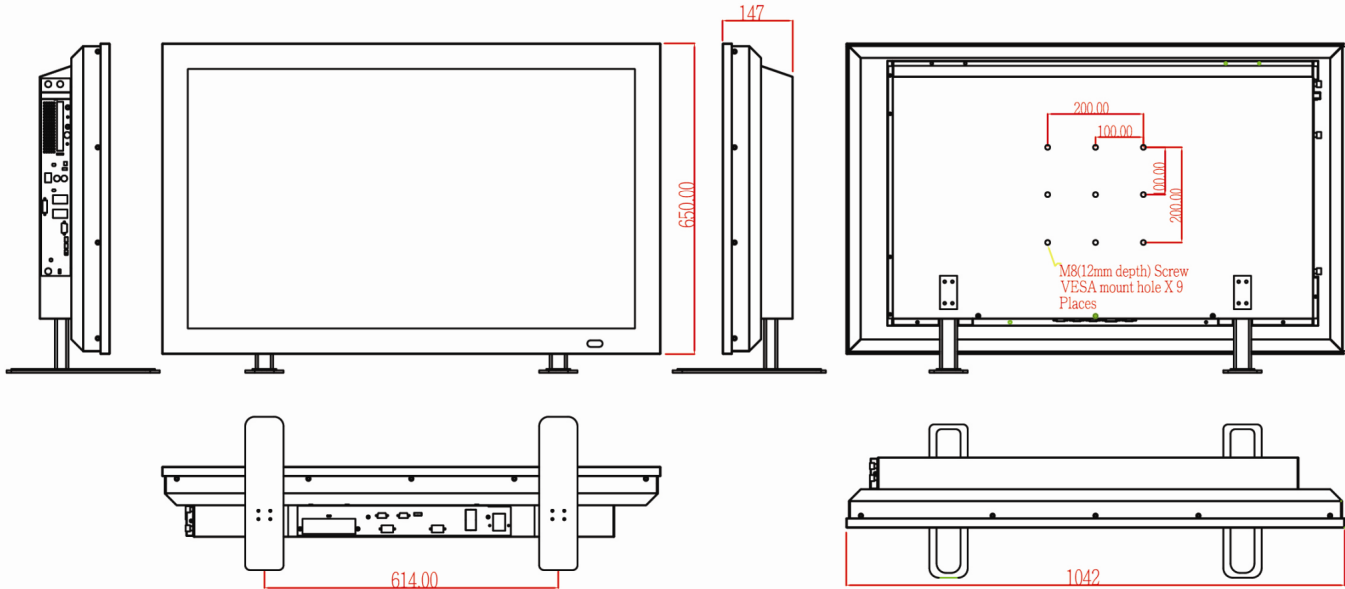


WMS-42PLUS2E

42" Intel Core 2 Duo All-in-one Digital Signage System

Drawing



Options

1. TV tuner function & Video capture function
2. Wireless LAN function: by PCI-E mini card
3. VGA card function
4. Stand x2
5. Bottom I/O cover
6. Side I/O cover
7. Web camera
8. Speakers (5W+5W) (landscape, portrait)
9. Wall mount bracket (200 x 200 mmxmm)
10. Magnetic stripe card reader

Power

- Power input**
Direct AC connector,
ATX power supply to computer board,
100~240VAC, 50/60Hz, 2.4A
- Power consumption and Ampere**
Display only: 135W, 1.23 A
With computer module: 335W, 4A
- Power Switch**
Main switch to turn on/off AC power
(at the bottom side)
Switch to turn on/off motherboard
(at the external I/O of PC side)
- Power LED**
Power and HDD indicator at PC board external I/O side
(LED colors: Power: Green / Orange: HDD accessing)

External I/O

[Computer Side]

- USB** USB 2.0 x 4
COM RS232 x 1
LAN RJ-45 x 2 (Gigabit Ethernet)
KB/Mouse PS/2 Keyboard x1 & Mouse x 1
Audio Line-in, Mic-in, Line-out audio jacks
DVI-D Output x 1
IEEE1394a Fire wire *1 (option)
GPIO connector 8 in 8 out (option)

[Bottom side]

- VGA** Input x 1
VGA Output x 1 (loop signal output with VGA input)
HDMI Input x 1 (design in option)
Doggy door to access internal DVI-D input x 1

Dimensions and Weights

Standalone	WMS-42PLUS2E BK	WMS-42PLUS2E BKIT
Weight (no stand) Kg	38.6	46.1
Weight (with stand) Kg	40.6	48.1
Dimensions (no stand) mm (W) x mm (H) x mm (D)	1042 x 650 x 129	1042 X 650 X 147
Dimensions (with stand) mm (W) x mm (H) x mm (D)	1042 x 737 x 129	1042 X 737X 147

Ordering Information

1. WMS-42PLUS2EBK(bezel + black body)-C2D2.6G CPU-1G RAM-160G HDD
2. WMS-42PLUS2EBKIT(bezel + black body + IR touch)-C2D2.6G CPU-1G RAM-160G HDD