

WMS – 47PLUS2

47" Intel Core 2 Duo All-in-one Digital Signage System



Side I/O cover



Bottom I/O cover

Features

- Compact and low noise design
- Smart fan control
- Support 1920x1080 HDTV content & 3D application
- Easy to swap PC board and option kits
- Structure by Modules
- IO Connectors are Easily Accessed
- VGA outputs for daisy chain Solution
- Fully Support WRDM
- Vista compatible
- Intel Core 2 Dual CPU + Q965 + ICH8 Platform

System

CPU	Intel socket 775 C2D CPU, max speed: 2.66G, max power consumption 65W CPU list: CORE 2 DUO 2.66G E6700 / CORE 2 DUO 2.13G E6400 CORE 2 DUO 2.6G E4700 / CORE 2 DUO 1.8G E4300 CORE 2 DUO 2.4G E6600 / Celeron 800MHz 440
FSB	1066MHz / 800MHz / 533MHz
Chipset	Intel® Q965 chipset: •North bridge: Intel Q965 Graphic Memory Controller Hub (GMCH) (25W) •South bridge: Intel ICH8 I/O Controller Hub (5W)
VGA	Intel Q965 integrated graphic subsystem (GMA3000)
Audio	Realtek ALC268 AC97 Audio Codec 2+2 channels
LAN	Realtek 8111B 10/100/1000 Mbps LAN x 2
Memory	Two 240-pin DDRII 533/667/800 DIMM sockets, dual channels, supports max. 4 GB system memory
I/O	Intel ICH8 I/O controller Hub
Serial ATA	SATA II, Data transfer rates up to 3.0 Gb/s (300 MB/s), 2 on mother board, 2 on connection board
Serial port	RS232 x 1 / RS232,422,485 x 1
Parallel port	Compatible with IBM parallel port x 1 Support Enhanced Parallel Port(EPP) – Compatible with IEEE 1284 specification Support Extended Capabilities Port(ECP) – Compatible with IEEE 1284 specification
IEEE1394a	firewire port x 1 (design in, option, supports provisions of IEEE 1394-1995 Standard for High Performance Serial Bus 1.0 and 1394a-2000)
USB	USB 2.0 x 8 (external x 4 on mother board, internal x 4 on connection board)
DVI	On DVI board, DVI-D port x 2 (one link with AD board, one to computer I/O side)
VGA	On connection board, VGA out x 1
GPIO	* Support 8 General Purpose Input (GPI), TTL level * Support 8 General Purpose Output (GPO), TTL level * 5V * internal pin heads on mother board * External connector on computer module (option)
WDT	1~252 minutes, software programmable

LCD Panel

Panel Size	47"
Resolution	1920 x 1080
Pixel Pitch (mm)	0.5415
Active Area (mm)	1039.68 x 584.82
Luminance (nits)	500
Viewing Angle (H/V)	(U/D/R/L,CR>20)88/88/88/88
Contrast Ratio	2000:1
Color Depth	8bit (16.7M)
Response Time(ms)	6.5 (Gray to Gray)

Touch Panel

1. Infrared type
2. Light transmission: >92% Upto 100%

Storage

HDD 3.5" SATAII HDD drive bay x 1

Expansion

PCI-E mini card slot x 1
PCI-Ex16 x 1
PCI-Ex1 x 1

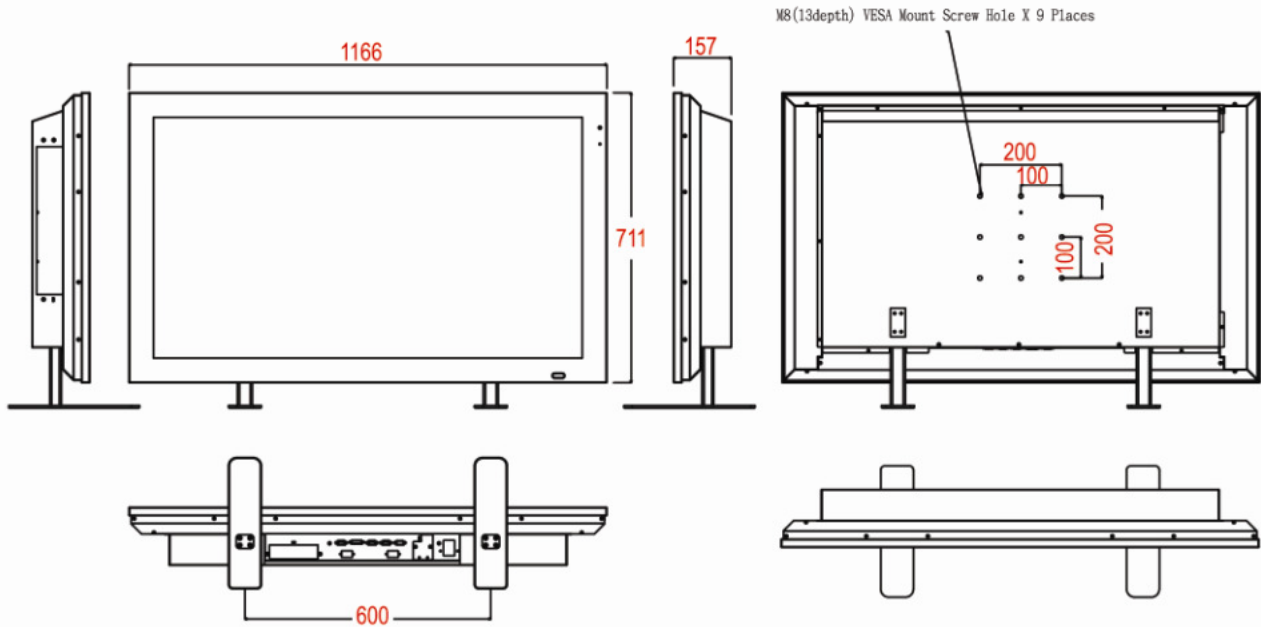
Mechanical & Environmental

Mainbody	SECC, black (Panton no. 8238)
Operating Temperature	0°C ~ 40°C
Storage Temperature	-20°C ~ 60°C
Operating Humidity	10 ~ 90%
Storage Humidity	10 ~ 90%
Noise Level	Full loading 38 dB
Kensington lock hole	Computer module I/O side x 1, HDD tray x1

WMS – 47PLUS2

47" Intel Core 2 Duo All-in-one Digital Signage System

● Drawing -WMS47BKIT



● Power

Power	AC-In connector x 1, with locker
Power Input	Direct AC connector, 100~240VAC, 50/60Hz
Power consumption	375W
Power Switch	Main switch to turn on/off AC power (at the bottom side) Switch to turn on/off mother board (at the external I/O of PC side)
Power LED	Power and HDD indicator at PC board external I/O side (LED colors: Power: Green / Orange: HDD accessing)

● External I/O

USB	USB 2.0 x 4 (external x 4, internal x 4)
COM	RS232 x 1 (external: RS-232 x 1, internal RS-232/422/485x1)
LAN	RJ-45 x 2 (Gigabit Ethernet)
KB/Mouse	PS/2 Keyboard x1 & Mouse x 1
Audio	Line-in, Mic-in, Line out audio jacks
DVI-D output	x 1
IEEE1394 Fire wire	x 1(optional)
GPIO connector	(optional)
VGA output	x 1
VGA input	x 2
DVI-I input	x 1
RS232	x 1

● Dimension and Weight

Standalone	WMS-47PLUS2 BK	WMS-47PLUS2 BKIT	WMS-47PLUS2 BKTG
<i>Subtotal</i>	41.5	49.1	44.6
<i>Weight (without stand)</i>	41.5	49.1	44.6
<i>Weight (with stand) kg</i>	43.5	51.1	46.6
<i>Dimension (without stand) mm (W) x mm (H) x mm (D)</i>	1166*711*141	1166*711*157	1166*711*144
<i>Dimension (with stand) mm (W) x mm (H) x mm (D)</i>	1166*773*141	1166*773*157	116*773*144

● Options

1. TV tuner function & Video capture
2. Wireless LAN
3. VGA card
4. Stand x2
5. Bottom I/O cover
6. Side I/O cover
7. Web camera
8. Speakers (5W+5W) (landscape, portrait)
9. Wall mount bracket (200 x 200 mmxmm)
10. Magnetic stripe card reader

● Ordering Information

1. WMS-47PLUS2BK-C2D 2.6-1G-160
2. WMS-47PLUS2BKIT-C2D 2.6-1G-160
3. WMS-47PLUS2BKTG-C2D 2.6-1G-160