

WPC-765WT

Intel Core i Wide Temp. Fanless Box PC



Key Features

- Intel Core i7/i5/i3 FANLESS Wide Temp. Box PC
- Intel Quad Core i7-3632QM Fanless
- -40~60 degree C Wide Temp. Operation
- i-Cooling thermal control system
- True Fanless with proprietary thermal design
- Medical UL60601-1 3rd edition certification
- CE, FCC, VCCI Class B passed
- Rich 6x COM ports for control applications
- Rugged SECC/aluminum metal enclosure
- USB x4 (USB3.0 x2 + USB2.0 x2)
- DVI-I Video output & LAN Gigabit x2

Main System

CPU	Ivy bridge Intel® Core™ i7 i5/i3 rPGA Socket Type Processor (35W max.)
Chipset	Intel HM 76 PCH
VGA	Intel integrated HD Graphics 4000 by Ivy bridge CPU
Audio	Realtek ALC262 Audio Codec, 2+2 watts power amplifier
Memory	Two 1066/1333/1600 MHz DDR3 SODIMM socket support dual Channel, non-ECC, up to 16GB
Serial ATA	SATA3, 300 MB/s transfer rate x 1
WDT	Generates system reset; 256 segments, 0, 1, 2...255 sec/min.
COM	x 6 (RS232 x 5, RS232/RS422/RS485 x 1)
USB	x 4 (USB 2.0 x 2, USB 3.0 x 2)
LAN	RJ-45 x 2 (Gigabit Ethernet)
BIOS	Brand: AMI Flash ROM size: 4M byte Support RTC wakeup /Wake on LAN / Power on after power failure/PnP/ACPI/RTC

Storage & Expansion

SSD 128 GB

Expansion slot Mini PCIe x 1 (52 pin card-edge type)

I/O & Control Keys

USB	USB 2.0 x 2, USB 3.0 x 2
COM	RS232 x 5, RS232/422/485 x 1 <w/ auto flow control>
LAN	RJ-45 x 2 ,Gigabit
Audio	Line-out, Microphone-in (3.5 mm phone-jack)
Video output	DVI-I x 1(Standard) , or DVI-D x1 + CRT x1 (option, via Y cable)
Power input	DC-in x 1, 6V~32V
Control keys	• Front: Power on/off • Rear bottom: Reset

Power

Power adaptor	AC input 90 ~ 264V / 47 ~ 63 Hz / DC output 12V, 1.2m DC cable
Power consumption	57 watts

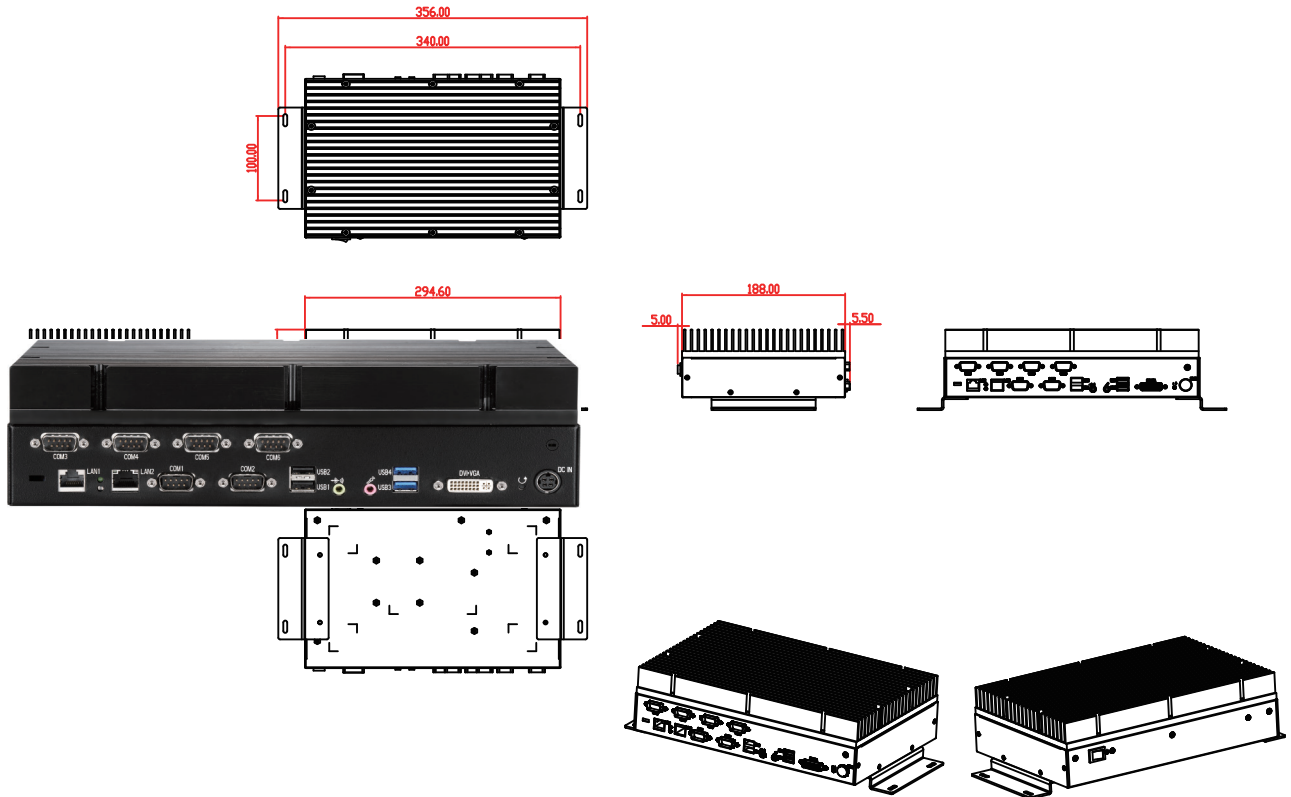
Mechanical & Environmental

Housing materials	Aluminum heatsink and SECC with black coating
Cooling	Fanless
Temperature	• Operating : -40~60°C (air-flow) w/ SSD • Storage : -40°C~60°C
Mounting	Bracket mounting mechanism
Dimension	294.6mm (W) x 188mm (D) x 80.3mm (H) Standard type
Weight (net)	4 Kg (w/o power adaptor)
Humidity	Operating & storage – 10%~90%, non-condensing
Kensington Lock	One at rear
Regulatory	• UL 60601-1, FCC class B, EN 60601-1, EN 60601-1-2 (Share with WPC-765)

WPC-765WT

Intel Core i Wide Temp. Fanless Box PC

Outline Dimension



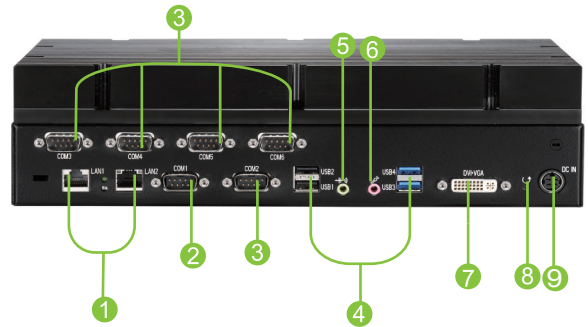
Packaging / Options / Customization

Packaging System, power adaptor, AC power cord, DVD (drivers & manual), mounting bracket

Options

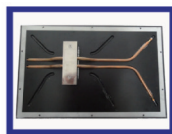
- . 802.11 a/b/g/n WLAN module (Mini PCIe with two antenna)
- . Equipotential terminal pin
- . DVI-D+VGA Y cable

I/O Connectors



- | | |
|-------------------------|-----------------|
| ① LAN x 2 | ⑥ Microphone-in |
| ② RS232/422/485 | ⑦ DVI-I |
| ③ RS232 x 5 | ⑧ Reset |
| ④ USB x 4 (USB 2.0/3.0) | ⑨ DC-in |
| ⑤ Line out | |

Product Photo



Thermal Design



Adaptor

Ordering Information

- CPU: Core i5 2.5G (default) / Core i3 2.4G / Core i7 2.2G
- Memory: 2G / 4G / 16G
- WLAN: None / x 1
- Expansion: None
- Video output: DVI-I / DVI-D + VGA Y Cable (need to flash Bios)



Web: www.wincomm.com.tw

Contact: sales_support@wincomm.com.tw

Wincomm Corporation

3F, NO. 14, Prosperity Road II, Science-Based Industrial Park,
Hsinchu, Taiwan 30078, R.O.C

Tel : +886 3 578 0000 Fax: +886 3 578 0295